

DOWNLIGHT

ORION

11/15/25 W UGR<10



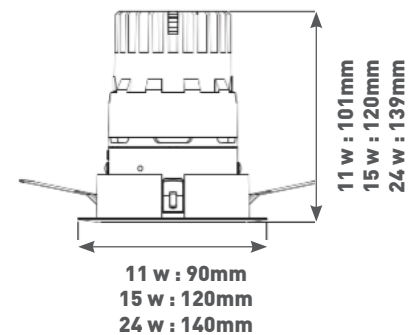
W	T°	LM	RÉFÉRENCES	DESCRIPTIONS LUMINAIRE
11W	3000K	990lm	ORION-11WW	Downlight LED ORION 11W 3000K IRC95 36° sans driver
11W	4000K	1100lm	ORION-11	Downlight LED ORION 11W 4000K IRC95 36° sans driver
15W	3000K	1350lm	ORION-15WW	Downlight LED ORION 15W 3000K IRC95 36° sans driver
15W	4000K	1500lm	ORION-15	Downlight LED ORION 15W 4000K IRC95 36° sans driver
24W	3000K	2160lm	ORION-24WW	Downlight LED ORION 24W 3000K IRC95 36° sans driver
24W	4000K	2412lm	ORION-24	Downlight LED ORION 24W 4000K IRC95 36° sans driver

DRIVERS INDISPENSABLES

W	RÉFÉRENCES	DESCRIPTIONS
11W	OR11-300	Driver LED non dimmable pour downlight ORION 11W
15W	OR15-360	Driver LED non dimmable pour downlight ORION 15W
24W	OR24-600	Driver LED non dimmable pour downlight ORION 24W
11/15W	LCA-17 250-700	Driver TRIDONIC DALI-PUSH DIM 17W 250-700 mA Class I
24W	LCA-25-350-1050	Driver TRIDONIC DALI-PUSH DIM 25W 350-1050 mA Class I

DIM PHASE	NON DIMMABLE	DALI/PUSH DIM	1/10 V	FINITION NOIRE	FINITION BLANCHE	DIMENSIONS
✗	✓	✓	✗	✗	✓	11 w : Ø Installation : 75mm 15 w : Ø Installation : 105mm 24 w : Ø Installation : 125mm

11 W			15 W			24 W		
H (M)	D (M)	Em (Lx)	H (M)	D (M)	Em (Lx)	H (M)	D (M)	Em (Lx)
1	1,09	571	1	0,61	3408	1	0,68	3067
2	2,18	142	2	1,23	852	2	1,36	766
3	3,27	63	3	1,84	378	3	2,04	340
4	4,36	35	4	2,45	213	4	2,72	191



DONNÉES TECHNIQUES

CE	RoHS	TENSION ENTRÉE DRIVER 220-240v	COURANT SORTIE DRIVER 11W 300mA 15W 360mA 24W 600mA	11W 500G 15W 900G 24W 1,1KG		
IK 07	IP 20	PF 09	ENCASTRÉ	ø 11W 75 mm ø 15W 105mm ø 24W 125 mm	36°	UGR <10
IRC 95	SDCM <2	EN 62471 RGO		GARANTIE 5 ans		L90B10
850°	LED CITIZEN	BORNIER À REPIQUAGE	DURÉE DE VIE 50000 H	FONTE D'ALUMINIUM		A+

OPTIONS

DALI	PUSH DIM	Driver LIFUD	Driver TRIDONIC	CONNECTEUR WIELAND 3P
CONNECTEUR WIELAND 5P				